

VARDEX V-CAP Toolholders Now Available for Internal & External Thread Turning Applications



Features and Benefits

- Suited to 3/8" (16mm) sized inserts
- Polygon shaped shank
- ISO compliance with standard 26623
- Works with wide range of machine types
- For all industrial sectors

V-CAP Toolholder Range

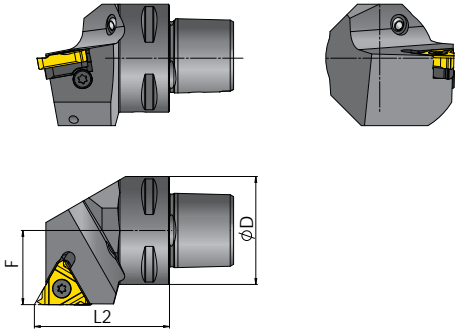
Internal and external V-CAP toolholders are available with 3/8" (16mm) inserts in the following shank diameters:

- C3
- C4
- C5
- C6
- Special sizes are available upon request

NEWS

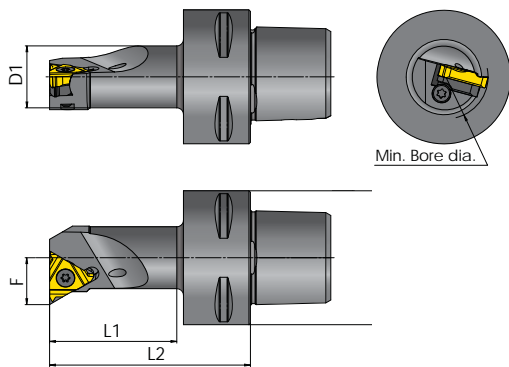
VARDEX

V-CAP External Toolholders



Insert Size	Ordering Code	Dimensions (mm)			Spare Parts			
		D	F	L2	Insert Screw	Anvil Screw	Torx Key	Anvil RH
3/8"	VCAP32-SER22040-3	32	22	40	SA3T	SY3T	K3T	YE3
	VCAP40-SER27050-3	40	27	50				
	VCAP50-SER35060-3	50	35	60				
	VCAP63-SER45065-3	63	45	65				

V-CAP Internal Toolholders



Insert Size	Ordering Code	Dimensions (mm)					Min. Bore dia. mm	Spare Parts			
		D1	D	F	L2	L1		Insert Screw	Anvil Screw	Torx Key	Anvil RH
3/8"	VCAP40-SIR12060-3	15.5	40	12	60	37	20	SA3T	SY3T	K3T	Y13
	VCAP40-SIR14060-3	18.5		14	60	38	25				
	VCAP40-SIR17070-3	24.5		17	70	48	32				
	VCAP40-SIR22090-3	32	22	90	69	40					
	VCAP40-SIR27080-3	39.5	27	80	60	50					
	VCAP50-SIR12060-3	15.5	50	12	60	35	20				
	VCAP50-SIR14060-3	18.5		14	60	36	25				
	VCAP50-SIR17070-3	24.5		17	70	47	32				
	VCAP50-SIR22090-3	32	22	90	68	40					
	VCAP50-SIR27105-3	39.5	27	105	84	50					
	VCAP63-SIR14070-3	18.5	63	14	70	42	25				
	VCAP63-SIR17075-3	24.5		17	75	48	32				
	VCAP63-SIR22090-3	32		22	90	64	40				
	VCAP63-SIR27105-3	40		27	105	80	50				

Availability

External toolholders are available from stock. Internal toolholders are available upon request.